



Technical Bulletin

Condition

Supersedes 19-06-02, May 8, 2006

Change of applicable Models and Model Years

- Coolant leakage around Auxiliary Coolant Pump.
- Coolant light may be illuminated.

19 06 03 Jul. 11, 2006, 2010725, Supersedes Technical Bulletin Group 19 number 06-02 dated May 8, 2006 due to updated models and model years.

Model(s)	Year	Eng. Code	Trans. Code	VIN Range From	VIN Range To
S4	2002	APB	All	All	All
A6	2002 > 2004	APB, BEL	All	All	All
allroad	2002 > 2005	APB, BEL	All	All	All

Technical Background

Auxiliary Coolant Pump (located under intake manifold) may be leaking coolant from pump body.

Production Solution

N/A

Service

For vehicles of MY 2002 and higher there is a Repair Kit, which needs to be installed as follows:

Repair Procedure:

Prior to installing the NEW auxiliary coolant pump parts kit, the OLD leaking pump needs to be removed.

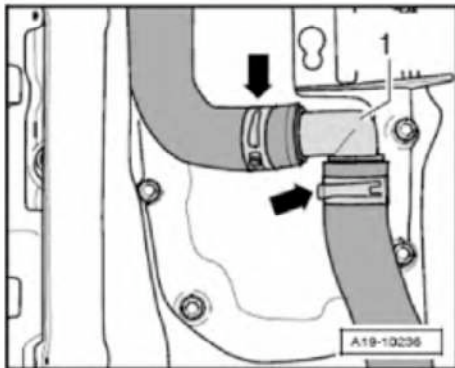


Warning: Only perform this Technical Bulletin when the engine is cold!

Technical Bulletin

Auxiliary coolant pump, removing:

- Drain coolant and remove auxiliary coolant pump located under intake manifold (see repair manual repair group 19).

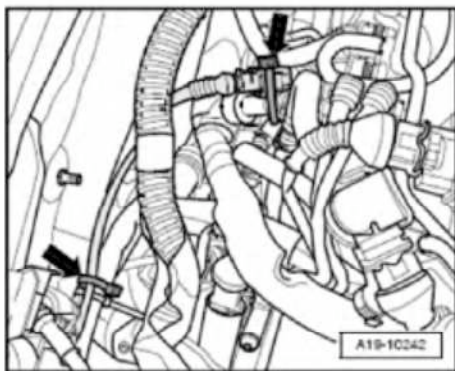


- Install angled elbow -1- instead of removed auxiliary coolant pump as shown
- Install spring clamps -arrows- as shown.
- Move existing electrical connector of old auxiliary coolant pump (harness interface) to outside of the valley (rear).
- Connect NEW Harness Adapter to existing harness interface.

For MY 2002 Vehicles:

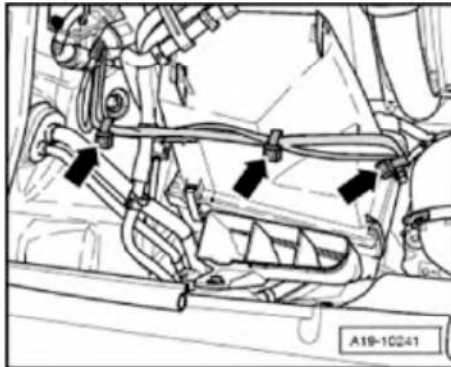
If electrical connectors between harness adapter and existing engine harness interface do not match:

Connector housing of engine harness interface needs to be replaced with Part No 8D0 971 946 (use Wiring Harness Repair Kit, Part No: VAS 1978).

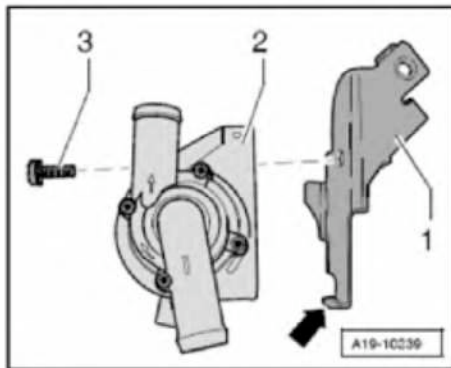


- Secure connected harness with 2 Tie Wraps -arrows- as shown.

Technical Bulletin

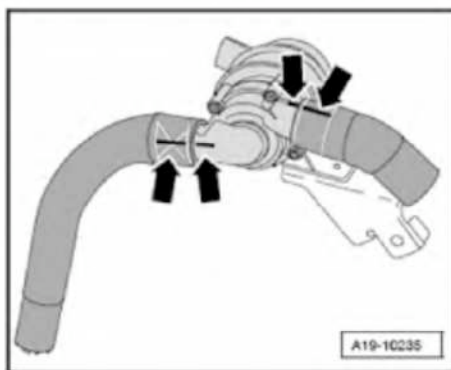


- Position and Secure NEW harness adaptor with (qty 3) Tie Wraps - arrows- as shown.



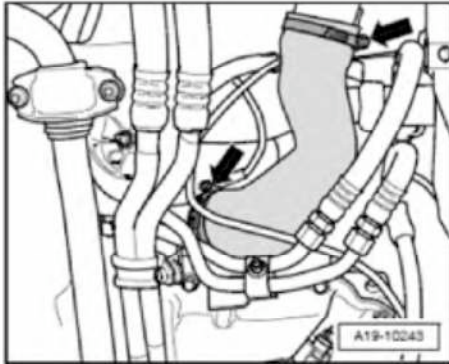
NEW auxiliary coolant pump, installing:

- Assemble NEW auxiliary coolant pump -2- and Bracket -1-.
- Hook rubber mount of pump in lower bow of bracket -arrow- first and tighten bolt -3- Part No: N 101 244 08 to a torque of 9 Nm.

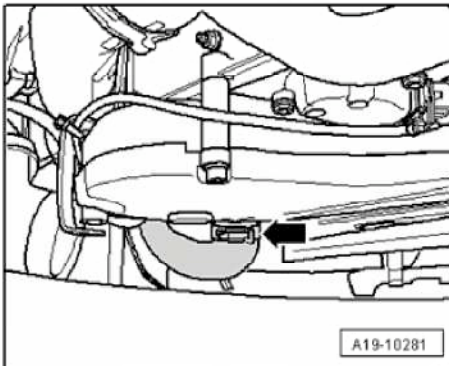


- Install 2 coolant hoses onto fittings of coolant pump as shown.
- Adjust coolant hoses so that the position mark of each hose is in line with position mark of pump fittings -arrows-.
- Secure coolant hoses with 2 NEW spring clamps (included in kit).
- Locking tab of each spring clamp must be located in center of X-mark of each coolant hose (arrows).

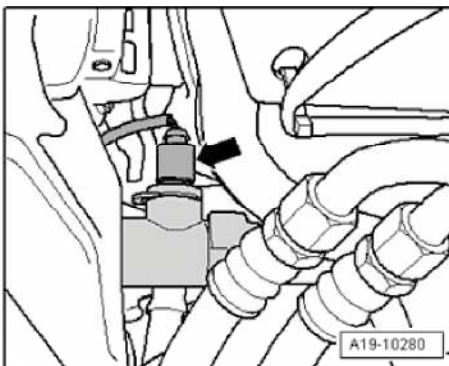
Technical Bulletin



- Remove lower pressure hose to charge air cooler (right side).

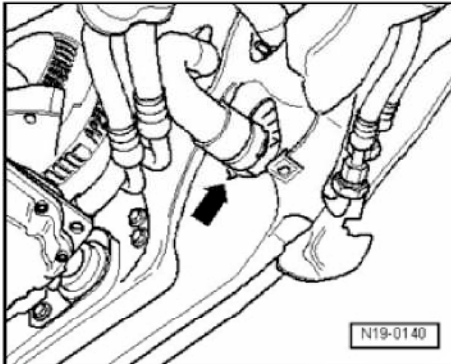


- Disconnect coolant hose -arrow- from thermostat housing port.

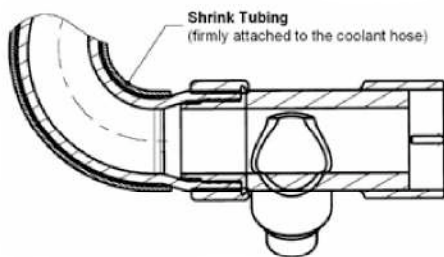


- Disconnect electrical connector from thermo switch on lower end of coolant hose to radiator -arrow- .

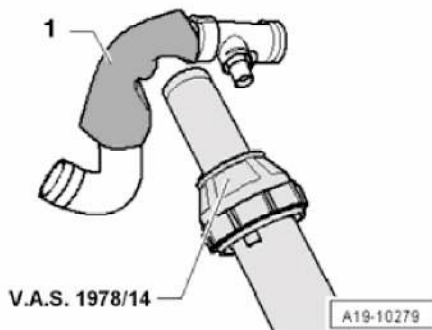
Technical Bulletin



- Remove coolant hose (release clamp -arrow-).

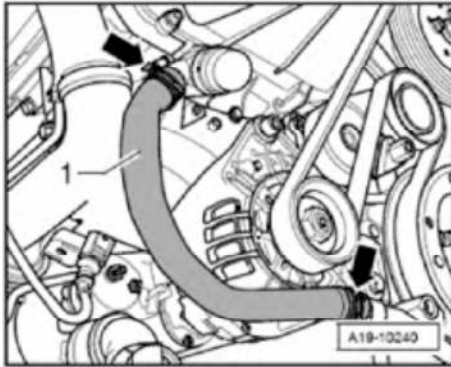


- Install shrink tubing (Part No: 078 121 092) onto coolant hose as shown in cross section.

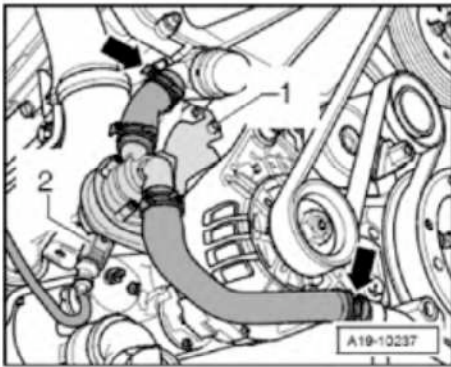


- Carefully heat the shrink tubing -1- using heat gun until it is firmly attached to coolant hose (wiring harness repair kit Part No: VAS 1978 contains a heat gun)
- Re-install coolant hose between thermostat housing and radiator.

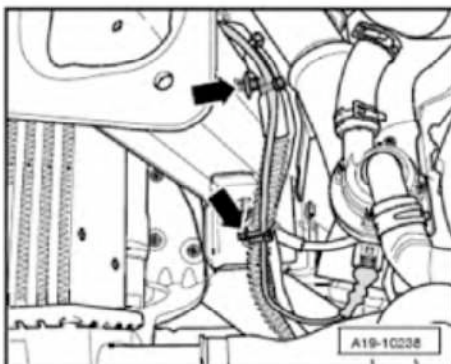
Technical Bulletin



- Remove coolant hose -1- from thermostat housing to front water pipe.
- Save both spring clamps to be used later.
- Install auxiliary coolant pump assembly in place of removed coolant hose.
- Use 2 original spring clamps which were used for installation of the removed coolant hose.
- The spring clamps need to be pre-installed onto the coolant hoses prior to connecting the coolant hoses to fittings.



- Install the 2 coolant hoses of auxiliary coolant pump assembly onto fittings of thermostat housing and front water pipe as shown.
- Ensure that coolant hoses have clearance from surrounding components (adjust if necessary).
- Secure coolant hoses with spring clamps-arrows- (position locking tabs of spring clamps as shown -arrows-).
- Fasten auxiliary coolant pump bracket to Alternator bracket (see illustration) using self cutting screw -1- Part No: N 100 835 02 (tighten screw to a torque of 9 Nm)
- Connect harness adapter to electrical connector -2- of auxiliary coolant pump (see illustration).



- Position and secure NEW harness adapter with (qty. 2) Tie Wraps -arrows- as shown.
- Re-install all components which were removed for repair.
- Refill coolant as necessary.

Technical Bulletin



Warranty

When procedure applies to vehicles within the New Vehicle Limited Warranty, use the following:			
Claim Type:	W2		
Part Identifier:	1945		
Damage Code:	1945 50 APG 2		
Labor Operations:	19452300	Insert Labor Operation Description from ElsaWeb	410 TU
Diagnostic Time:	No Diagnostic Time Allowed		
Claim Comment:	As per TSB #2010725/5		
All warranty claims submitted for payment must be in accordance with the Audi Warranty Policies and Procedures Manual. Claims are subject to review or audit by Audi Warranty.			



Technical Bulletin

Required Parts and Tools

Parts Requirements:

Part Number	Part Description	Qty
078 998 998	Repair kit for auxiliary coolant pump (includes pump)	1
078 121 092	Shrink Tubing	1
8D0 971 946	Connector housing (only MY 2002)	1



Tip: Individual components of the auxiliary coolant pump repair kit Part No: 078 998 998, which may be replaced separately, consist of the following:

Part Number	Part Description	Qty
078 121 601 B	Auxiliary coolant pump	1
078 121 096 AQ	Coolant hose	1
078 121 096 AR	Coolant hose	1
N 906 870 01	Spring clamp, B27 x 12	2
078 121 521 F	Bracket for auxiliary coolant pump	1
N 101 244 08	Bolt, with hex. socket hd., M6 x 20	1
078 121 147	Angled elbow	1
N 100 835 02	Screw, hex. Hd., self cutting, M6 x 16	1
4B0 971 379	Wiring harness adapter	1

Special Tool Requirements:

- Pliers for spring clamps: VAS 5024 A
- Wiring Harness Repair Kit: VAS 1978 / 1978 A

All part and service references provided in this TSB are subject to change and/or removal. Always check with your Parts Dept. and service manuals for the latest information.