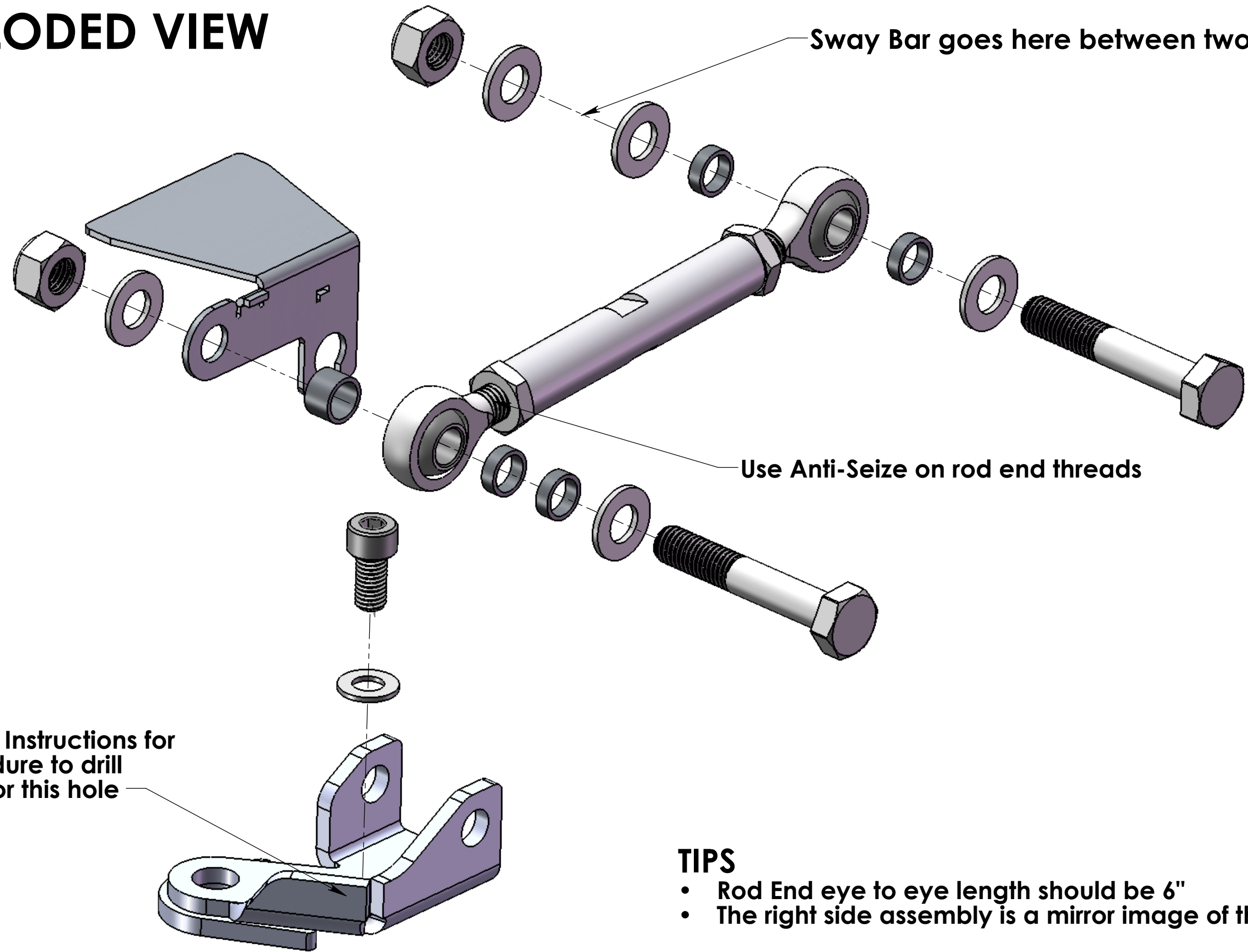


EXPLODED VIEW



Sway Bar goes here between two washers

Use Anti-Seize on rod end threads

Refer to Installation Instructions for correct procedure to drill and tap strut for this hole

TIPS

- Rod End eye to eye length should be 6"
- The right side assembly is a mirror image of this drawing

ASSEMBLED VIEW

